

VT-100 Series "Cracked Ice"

9,600lb/Day

In 1938, Vogt revolutionized the ice making industry by introducing the world's first automatic sized icemaker, the Vogt Tube-Ice machine. Today, Vogt Ice offers a variety of ice options including Tube-Ice, fragmented ice, flake ice, and cracked ice produced by the VT Series. Vogt ice machines enjoy a well-earned reputation as the most energy efficient, dependable ice machines on the market.

Options Available:

- CE approval
- All stainless steel casings
- Skid mounted self contained package unit
- Remote control panel for ON-OFF control and failure indicator light
- 460v.,3p.,60hz.
- 50hz Option
- Water cooled condenser

VT 100 Features

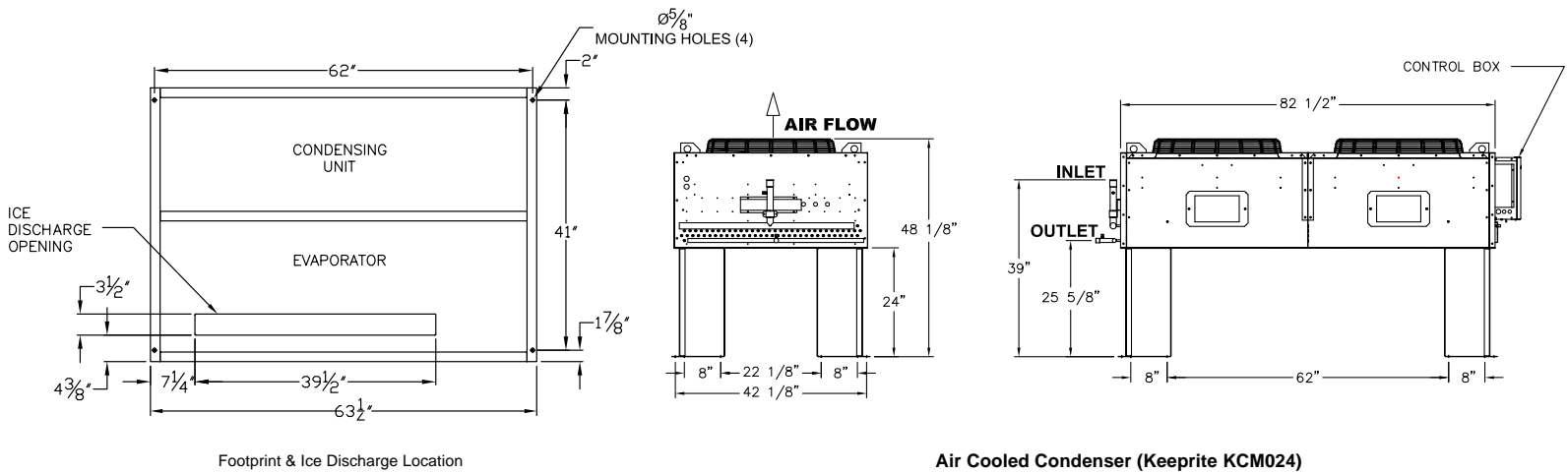
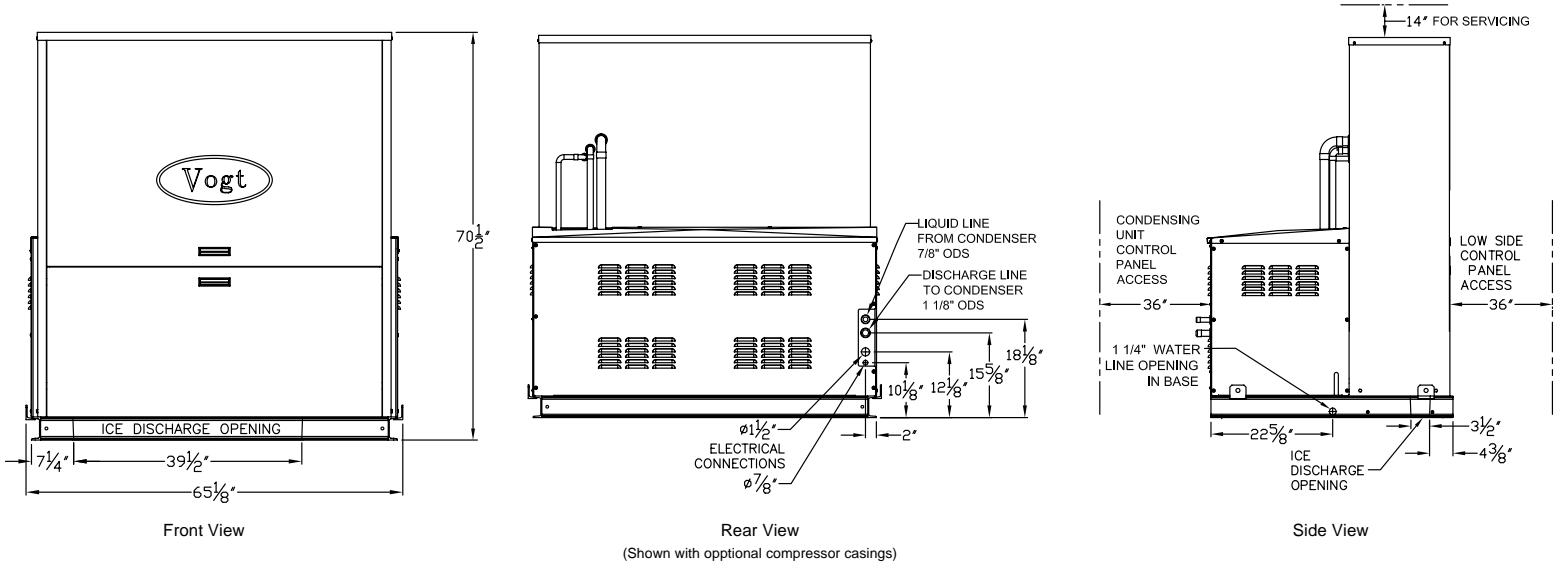
- R404A Refrigerant
- Patented, blow molded, sanitary water distributor
- Bitzer compressor for efficient operation
- Sealed Chopper bar
 - Sealed ball bearings to prevent leaks
 - Direct drive gear reducer - no belts
- Vertical, double walled stainless steel tube evaporator for proven longevity
- PLC control featuring:
 - Controlled restart after power outage to prevent freeze ups
 - Adjustable ice thickness
 - Cutter delay at start of harvest
 - Error code notification
- UL Approved control panel
- Remote air-cooled condenser
- Standard casings are Galvanneal coated for long lasting corrosion protection



www.vogtice.com

VOGT CRACKED ICE MACHINES

Model
VT100



Dimensions			Shipping Weight				
Ice Machine			Remote AC Condenser			Package Machine	Remote Condenser
			(Keeprite condenser)				
Height	Width	Depth	Height	Width	Depth	(lbs)	(lbs)
71"	63"	45"	48 1/8"	82 1/2"	42 1/8"	1850	485

Air Cooled Ice Machine Electrical Information					System Charge (lbs)	Ice Capacity			Ice Making Water		
Voltage	F.L.A.	Min. Ampacity	Max. Fuse	Service to Machine		Makeup Water Temp (Deg. F)	Ice / 24 hrs (lbs)	Ice / cycle (lbs)	Usage/100 lbs of Ice (gal)	Makeup Water Flow Rate	
									(gpm)	(gph)	
208/230	79.1	94.6	160	125	40	70	9600	50	12.0	0.80	48.0
460	38.4	45.3	75	125	40	70	9600	50	12.0	0.80	48.0

* Note: A fused disconnect must be provided near the machine
Capacities based on 90 Deg F. Ambient - water flows based on zero blowdown

Motor Information													
Voltage	Water Pump			Cutter Drive			Condenser Fan			Compressor			
	H.P.	F.L.A.	Phase	H.P.	F.L.A.	Phase	H.P.	Total F.L.A.	Phase	H.P.	L.R.A.	R.L.A.*	Phase
208/230	1/20	1.0	1	1/2	3.7	1	2 @ 3/4	8.6	1	23	352	63.8	3
460								6.2	3		176	28.8	

* RLA=MCC/1.56
MCC=Maximum Continuous Current

Revision 6/2015

Vogt
TubeIce | Turbo
Engineered to Endure

Vogt Ice, LLC
1000 West Ormsby Ave.,
Louisville KY 40210
Phone: 502-635-3000
E-mail: info@vogtice.com

