

Model 90 Flake Ice Maker

Built for industrial use with high quality, heavy-duty parts, all North Star flake ice makers are constructed to be dependable and durable. The Model 90 ice maker is available in three stainless steel configurations – the **Elite, Plus and Standard** -- for use in all types of food processing, or carbon steel, used in non-food related industries such as concrete cooling. All of these configurations produce superior, sub-cooled flake ice for industrial applications.

Feature	Benefit
<i>North Star's lifetime evaporator warranty</i>	<ul style="list-style-type: none"> • The best warranty in the business.
<i>Makes sub-cooled flake ice</i>	<ul style="list-style-type: none"> • Superior ice for most industrial applications -- the greatest surface area coverage for faster, more efficient cooling.
<i>Stainless steel components incorporated in the design (varies depending on model)</i>	<ul style="list-style-type: none"> • The smart choice for food safety and sanitation, will not corrode, low maintenance requirements.
<i>Makes ice from fresh water or salt water</i>	<ul style="list-style-type: none"> • Used worldwide in seafood processing, meat and poultry processing, concrete cooling and other industries
<i>Solid stainless steel freezing surface -- Elite, Plus & Standard models</i>	<ul style="list-style-type: none"> • Long-lasting, durable and easy to clean. Will not chip, flake, pit or corrode like chrome-plated freezing surfaces.
<i>Solid carbon steel freezing surface</i>	<ul style="list-style-type: none"> • Also will not chip, flake or pit and corrosion-resistant while kept below freezing, or with minimal care.
<i>Double-walled, stationary evaporator design</i>	<ul style="list-style-type: none"> • No refrigerant seals to leak.
<i>Constructed to ASME and PED codes</i>	<ul style="list-style-type: none"> • Meets international safety requirements for pressure vessels.
<i>Operates continuously with no defrost cycle</i>	<ul style="list-style-type: none"> • All energy goes to making ice.
<i>High R-Value polyurethane insulation and reinforced fiberglass exterior</i>	<ul style="list-style-type: none"> • Energy efficient and durable.
<i>North Star designed drip shield</i>	<ul style="list-style-type: none"> • Complete separation of water and ice. No water is wasted.
<i>Simple installation and operation</i>	<ul style="list-style-type: none"> • Easy to use with minimal maintenance requirements.



Model 90 Flake Ice Maker

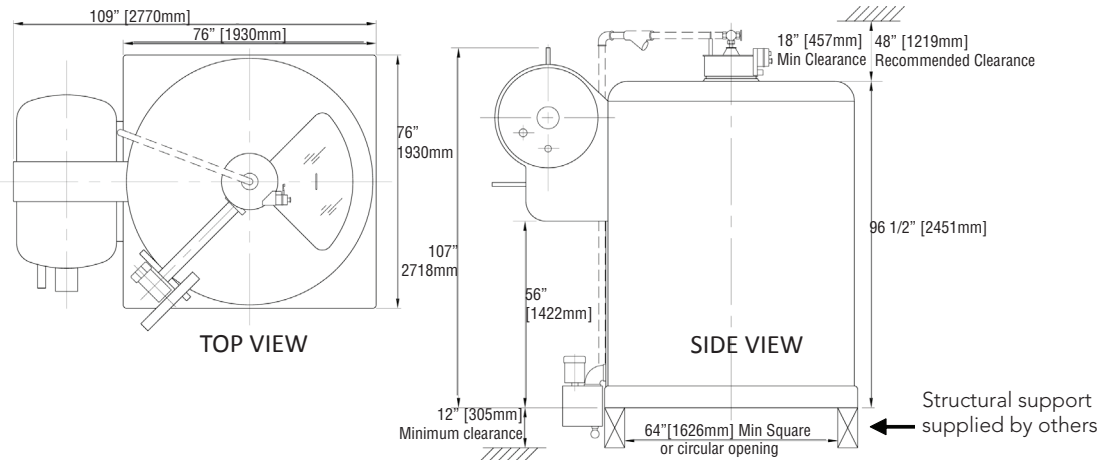
Ice Maker Specifications

High Capacity with a Small Footprint

Refrigerant Control: RFS (Refrigerant Float Switch) (Preferred) or Sporlan Levelmaster. Forced recirculation models also available

Net Weight: 9,480 lbs (4300 kg)
Volume: 645 ft³ (18.3 m³)
Drive Motor: 1 1/2 HP
Pump Motor: 1/2 HP
Suction Line: 6" Sch 40
Liquid Line: 2" Sch 80

Oil Drain Line: 1/2" MPT
Water Line:
Tank Inlet 1/2" FPT
Tank Drain 1 1/4" FPT
Pump Outlet 1 1/4" FPT
Flow Control Valve Inlet 1 1/2" FPT



Refrigerant Capacity at 70°F (21°C) Volume 17.1 Cubic Feet (.49 Cubic Meters)

Refrigeration Requirement Tons of Refrigeration Per Ton of Ice

Refrigerant	Capacity (lbs)	Capacity (kg)	Water Temp. (°F)	40	50	60	70	80
Freon R-134a	1,400	635	Tons of Ref (UST)	1.20	1.25	1.30	1.40	1.50
Freon R-404a	1,350	612	Water Temp. (°C)	5.0	10	15.5	21	27
Freon R-22	1,300	590	kW of Ref (MT)	4.67	4.84	5.02	5.44	5.91
Ammonia R-717	650	295						

Flake Ice Capacities in US Tons (Metric Tons)

Evap. Temp.	0	-5	-10	-15	-20	-25	-30	-35
- F	-18	-21	-23.5	-26	-29	-32	-34.5	-37
- C								
Stainless Steel Models								
1.5mm Ice Thickness	24.1 (22.0)	27.3 (25.3)	30.9 (28.2)	34.4 (31.0)	37.5 (34.1)	40.3 (37.0)	42.5 (38.5)	43.4 (39.4)
2.0mm Ice Thickness	20.6 (18.9)	23.4 (21.6)	26.2 (24.0)	29.2 (26.4)	32.2 (29.3)	35.1 (32.1)	37.4 (33.9)	38.1 (35.6)
Carbon Steel Models								
1.5mm Ice Thickness	29.3 (26.9)	34.3 (31.8)	39.3 (35.9)	44.1 (39.8)	48.9 (44.5)	53.0 (48.5)	56.1 (50.5)	58.3 (52.8)
2.0mm Ice Thickness	23.9 (22.0)	28.3 (26.3)	32.6 (29.8)	36.9 (33.4)	41.2 (37.5)	44.9 (41.2)	48.0 (43.6)	50.3 (45.5)

Above capacities based on 60°F (15.5°C) make-up water and oil-free ammonia refrigerant. For different operating conditions including halocarbon refrigeration, please visit the North Star Website and use our Ice Maker Selector Tool at: www.northstarice.com.

North Star Ice Equipment Corporation

8151 Occidental Avenue South
P.O. Box 80227
Seattle, WA 98108 USA
Tel: 206-763-7300

Toll-free in USA: 1-800-321-1381
Fax: 206-763-7323
Email: info@northstarice.com



www.northstarice.com